



# Torque on Demand Transfer Case

Product Data Sheet



Torque-On-Demand® (TOD®) is a transfer case that provides active “On-Demand” all-wheel drive capability. The TOD transfer case combines on-road handling of a rear-wheel drive with all-terrain capability. It uses a proprietary electronic control unit and software to monitor steering wheel angle and pedal position, automatically delivering the precise amount of torque needed to the front and/or rear axle. By predicting slip and providing pre-emptive torque, TOD technology improves vehicle dynamics, increases stability and enhances driver comfort, whether driving off-road or on-highway, in normal or difficult weather conditions. The TOD is available in single-speed and two-speed variants.

## Head Office & Bhosari Unit

Divgi-TTS Pvt. Ltd.  
75 General Block, MIDC, Bhosari, Pune 411 026  
TEL: +91 – 20 – 27302000, 27129690  
FAX: +91 – 20 – 27129691

## Sirsi Unit

Divgi-TTS Pvt. Ltd.  
Banavasi Road, Sirsi 581 401,  
TEL: +91 – 08384 – 229285, 225708  
FAX: +91 – 08384 – 229284



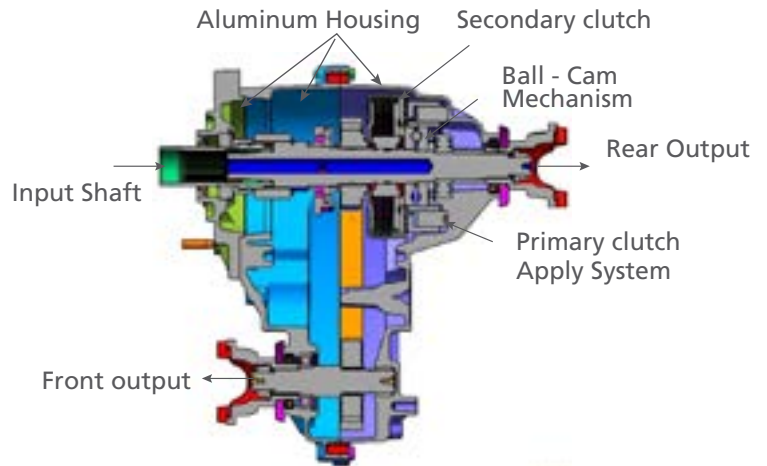
# Torque on Demand Transfer Case

## Features / Specifications

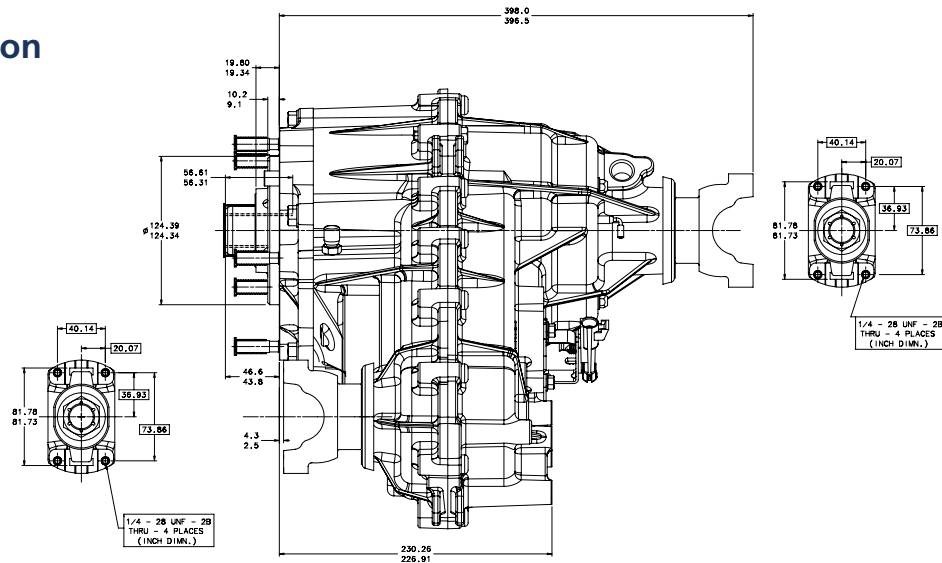
### Features:

- » Provides a controlled amount of Torque to the front axle via modulation of a patented electromagnetic clutch
- » Potential for improved fuel economy over traditional passive full time systems
- » Also available in Electronic Shift-On-The-Fly configuration

### Cross Sectional View



### Installation Layout



### Specifications:

Type	Full-time Transfer Case	Fluid Type	ATF
Applied Technology	Torque-on-Demand	Housing Material	Aluminium
Offset	Single, Left Hand Drop	Dry Weight (Kg)	29.0
# of Speeds	Two	Fluid Capacity (L)	1.30
Low Range Ratio	1:2.48 (2-speed); 1:1 (1-speed)	Drop Angle	40°
Lube System	Active, Forced Lubrication	Center Distance	242.8mm

#### Head Office & Bhosari Unit

Divgi-TTS Pvt. Ltd.  
75 General Block, MIDC, Bhosari, Pune 411 026  
TEL: +91 – 20 – 27302000, 27129690  
FAX: +91 – 20 – 27129691

#### Sirsi Unit

Divgi-TTS Pvt. Ltd.  
Banavasi Road, Sirsi 581 401,  
TEL: +91 – 08384 – 229285, 225708  
FAX: +91 – 08384 – 229284