



# NexTrac<sup>®</sup> Interactive Torque Coupler

Product Data Sheet



The NexTrac<sup>®</sup> Interactive Torque Coupler is to Front-wheel Drive based All-wheel Drive vehicles as the Transfer Case is to Rear-wheel Drive based All-wheel Drive vehicles i.e. it senses the torque requirement & transfers the necessary torque to the rear wheels when wheels start slipping on the surface.

The NexTrac<sup>®</sup> employs the latest generation electro-magnetic actuation system for direct actuation of the primary clutch. The functionality is delivered in conjunction with another complementary unit called the Power Transfer Unit (PTU).

#### Head Office & Bhosari Unit

Divgi-TTS Pvt. Ltd.  
75 General Block, MIDC, Bhosari, Pune 411 026  
TEL: +91 – 20 – 27302000, 27129690  
FAX: +91 – 20 – 27129691

#### Sirsi Unit

Divgi-TTS Pvt. Ltd.  
Banavasi Road, Sirsi 581 401,  
TEL: +91 – 08384 – 229285, 225708  
FAX: +91 – 08384 – 229284

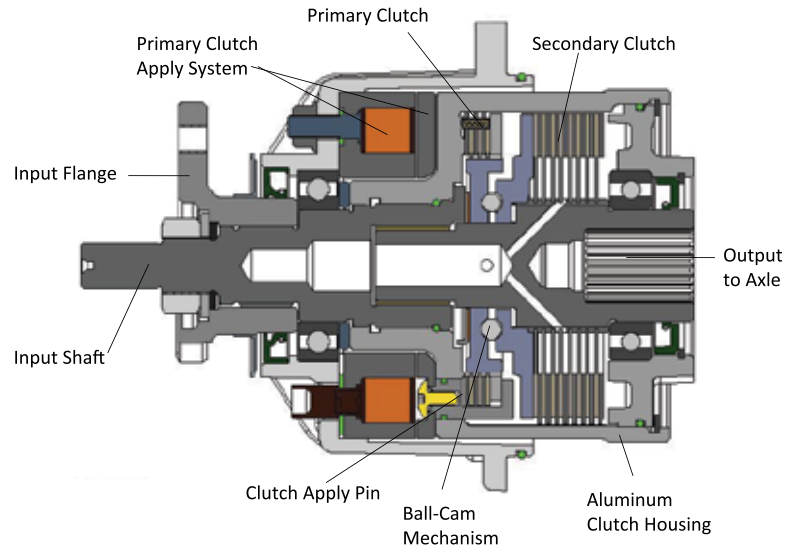


# NexTrac<sup>®</sup> Interactive Torque Coupler

## Features / Specifications

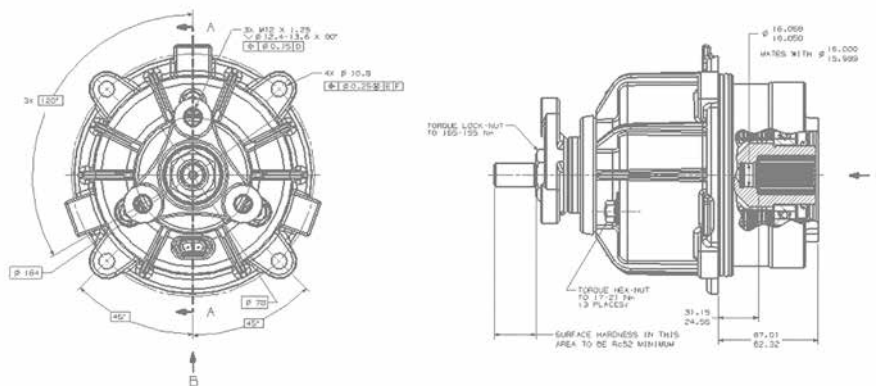
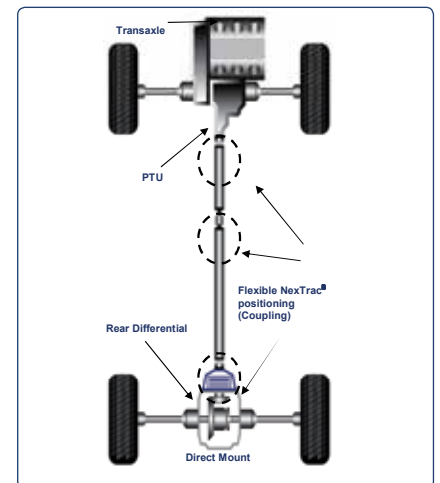
### Layout and Technical Features:

- » Weight: 6-9 kgs & Overall length: 180-200 mm
- » Torque: 500 N-m to 1600 N-m
- » Input configuration: Flange, Output configuration: Splines
- » Housing material: Aluminium
- » Shift control: Automatic through ECU, CAN controlled
- » Modes: Auto and "smart" lock system
- » Four-wheel traction in "blink-of-a-neye"



### Specifications:

- » Best-in-class: Drag, Size, Mass, Torque
- » Electronic torque delivery to slipping wheels
- » Flexible adaptation – Near PTU, CB Joint, Rear differential
- » Self-contained coil
- » Preemptive and Reactive/Slip control Torque Management system
- » Oil Filled for life



#### Head Office & Bhosari Unit

Divgi-TTS Pvt. Ltd.  
75 General Block, MIDC, Bhosari, Pune 411 026  
TEL: +91 – 20 – 27302000, 27129690  
FAX: +91 – 20 – 27129691

#### Sirsi Unit

Divgi-TTS Pvt. Ltd.  
Banavasi Road, Sirsi 581 401,  
TEL: +91 – 08384 – 229285, 225708  
FAX: +91 – 08384 – 229284