



Mechanical Shift Transfer Case

Product Data Sheet



The Mechanical-Shift Transfer Case is typically installed in part-time four-wheel-drive off-road vehicles such as trucks, rock-crawling vehicles, and some military vehicles. It allows the driver to select 2WD versus 4WD as well as high versus low gear ranges by means of a mechanical lever based on road conditions to provide optimum traction and stability while driving.

Head Office & Bhosari Unit

Divgi-TTS Pvt. Ltd.
75 General Block, MIDC, Bhosari, Pune 411 026
TEL: +91 – 20 – 27302000, 27129690
FAX: +91 – 20 – 27129691

Sirsi Unit

Divgi-TTS Pvt. Ltd.
Banavasi Road, Sirsi 581 401,
TEL: +91 – 08384 – 229285, 225708
FAX: +91 – 08384 – 229284



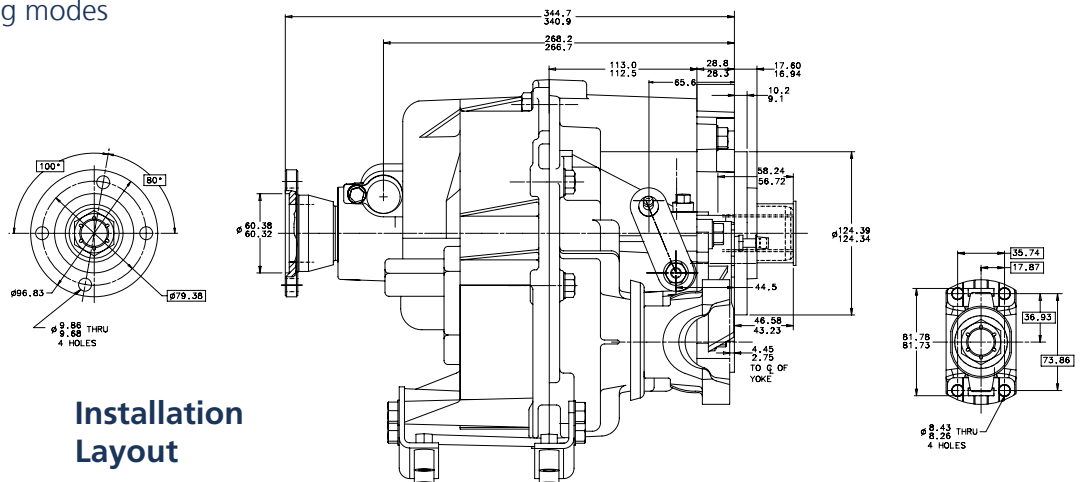
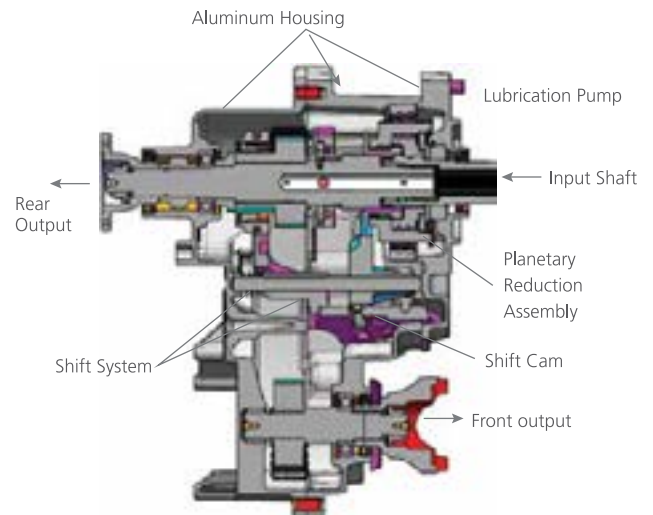
Mechanical Shift Transfer Case

Features / Specifications

Features:

- » Part-time system allows driver to select two- or four-wheel drive operation.
- » Lightweight construction reduces total vehicle weight to enhance fuel use efficiency.
- » HY-VO® Chain-driven output provides quiet, four-wheel drive operation
- » Upper disconnect to chain stops unnecessary parasitic losses in two-wheel drive
- » Positive displacement oil pump and filter assures full lubrication when driving or towing. Reduces maintenance needs
- » Helical gearing delivers quiet, high- & low-range operation
- » Single lever shift control simplifies selection of transfer case operating modes

Cross-Sectional View



Specifications:

Configuration	Part-Time, Single Offset
High Range	1:1
Low Range	2.48 : 1
Low Range Configuration	Helical 6 Pinion
Offset	Right / Left
Lube System	Gerotor Pump
Fluid Type	ATF
Housing Material	Aluminium

Dry Weight (Kg)	29.9
Fluid Capacity (L)	1.2
Typical GVW Rating (Kgs)	2500
Shift Control	Shift Lever
Shift Pattern	2H - 4H - N - 4L 2H - 4H (Optional)
Single Speed	Optional
4WH Shift-on-the-fly	Optional

Head Office & Bhosari Unit

Divgi-TTS Pvt. Ltd.
75 General Block, MIDC, Bhosari, Pune 411 026
TEL: +91 – 20 – 27302000, 27129690
FAX: +91 – 20 – 27129691

Sirsi Unit

Divgi-TTS Pvt. Ltd.
Banavasi Road, Sirsi 581 401,
TEL: +91 – 08384 – 229285, 225708
FAX: +91 – 08384 – 229284