



Electric Shift-On-the-Fly Transfer Case

Features / Specifications



The Electric Shift-on-the-Fly (ESOF) also is typically installed in part-time four-wheel-drive off-road vehicles such as trucks and rock-crawling vehicles. However, with a 32bit CAN-enabled Electronic Control Unit (ECU) providing the mechanism to select between 2WD and 4WD as well as between high and low gear ranges via an electrical switch, the ESOF provides a much more enhanced traction and stability over the Mechanical Shift Transfer Case. The ESOF is available in several variants.



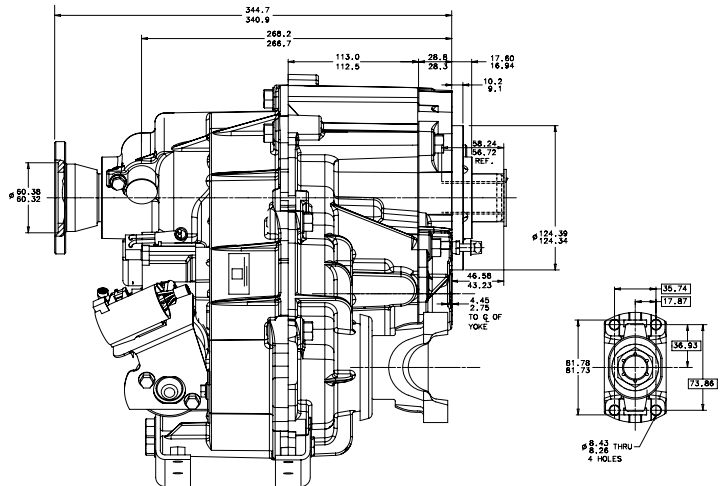
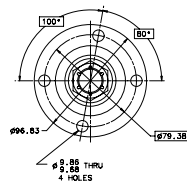
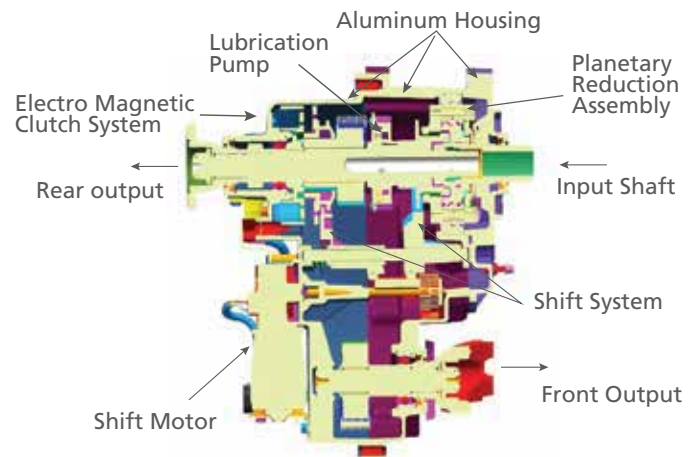
Electric Shift-On-the-Fly Transfer Case

Features / Specifications

Features:

- » Part-time system allows driver to select two- or fourwheel drive operation.
- » Lightweight construction reduces total vehicle weight to enhance fuel use efficiency.
- » HY-VO® Chain-driven output provides quiet, fourwheel drive operation
- » Upper disconnect to chain stops unnecessary parasitic losses in two-wheel drive
- » Positive displacement oil pump and filter assures full lubrication when driving or towing. Reduces maintenance needs
- » Helical gearing delivers quiet, high- & low-range operation
- » Four-wheel drive indicator light switch indicates fourwheel drive mode for driver convenience
- » Electric shift / Single lever shift control simplifies selection of transfer case operating modes
- » Electromagnetic shift-on-the-fly provides smooth engagement of four-wheel drive at highway speeds.

Cross Sectional View



Installation Layout

Specifications:

Configuration	Part-Time, Single Offset
High Range	1:1
Low Range	2.48 : 1
Low Range	Configuration Helical 6 Pinion
Offset	Right / Left
Lube System	Gerotor Pump

Fluid Type	ATF
Housing Material	Aluminium
Dry Weight (Kg)	31
Fluid Capacity (L)	1.2
Typical GVW Rating (Kgs)	2500
Shift Control	Selector Switch
Shift Pattern	2H – 4H – N – 4L